

WATER FILTER PLASTIC

Kushako

Water Filter plastic :

Features :

- Modular type for easy and fast maintenance.
- Suitable for wall mounting.
- Good flow and regulating characteristics.

Precautions :

- Note the direction of flow before installation and connect piping accordingly.
- Install in clean atmosphere.
- Polycarbonate bowls may get damaged and possibly fail if exposed to synthetic oils, thinner, solvents trichloroethylene, Kerosene or other hydrocarbons

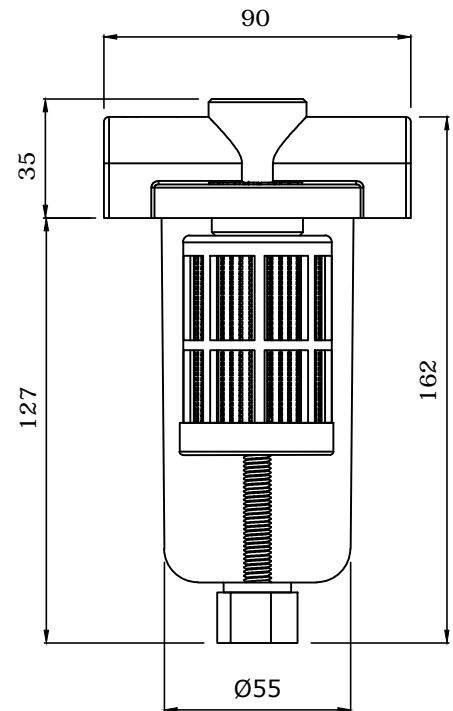
FUNCTION :

- Removes Impurities of water upto 50 micron



Technical Specifications:

Model	WF-2016-P
Medium	Water
Port Size	G1/2 BSP (F)
Maximum supply pressure (bar)	5
Ambient / Medium temperature	5° - 60° C
Filtration (μm)	100 micron
Bowl capacity FRC (ml)	50
Bowl material	Polycarbonate
Installation	Vertical
Materials of construction	Aluminum , Nitrile , Polycarbonate
Weight (Kg)	0.310



Manufactured by :

Kushako India

Office : 490, Narayan Peth, Opp. Pune Marathi Granthalaya, Pune - 411030. (Maharashtra), Website : www.kushakoindia.com

Works : Sr.No. 25/1A, Village Nanded, Sinhgad Road, Tal - Haveli, Dist. Pune -411041

Tel. No : 901169077 / 7620674777

E-mail : kushako.india@gmail.com / kushakoindia1992@gmail.com

Kushako